

Plug-in sockets and accessories

GZMB2

For R2N

Spring terminals
Max. cross section
of the cables:
1 x 0,2...1,5 mm²
(1 x 24...16 AWG)
Stripping length: 9...11 mm

35 mm rail mount
acc. to EN 60715
95 x 31 x 42,5(80) mm ②
Two poles
10 A, 300 V AC



GZMB4-0040



TR

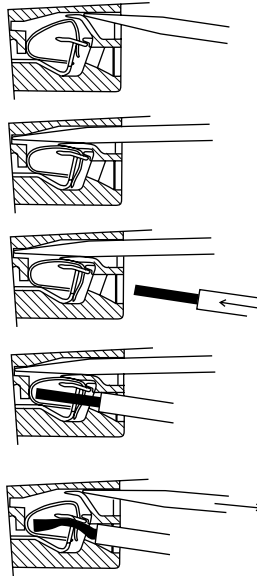
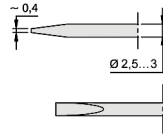
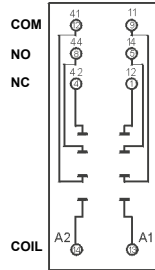


Module type M...

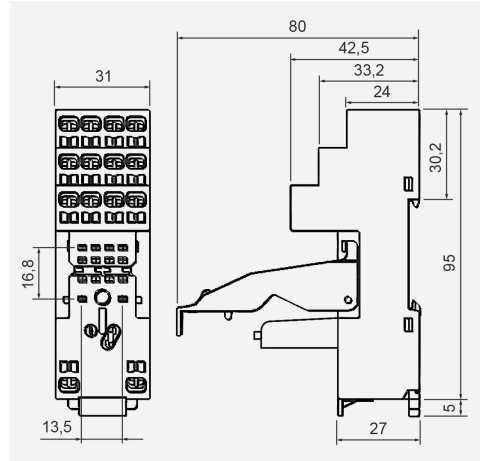


G4 1052

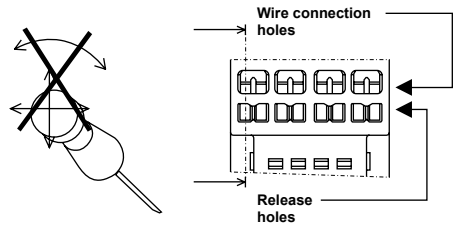
Connection diagram



Dimensions



The drawings present the sequence of operations in course of inserting wires to the spring terminal, and the recommended screwdriver to be used for opening of case springs, comply with the DIN 5264 FORM "A".



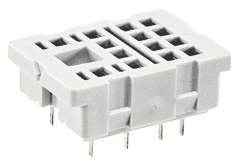
Accessories ①

Wire connection

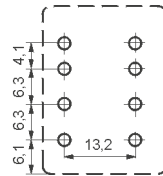
SU4/2D

For R2N

For PCB
29,6 x 21,5 x 11 mm
Two poles
12 A, 250 V AC

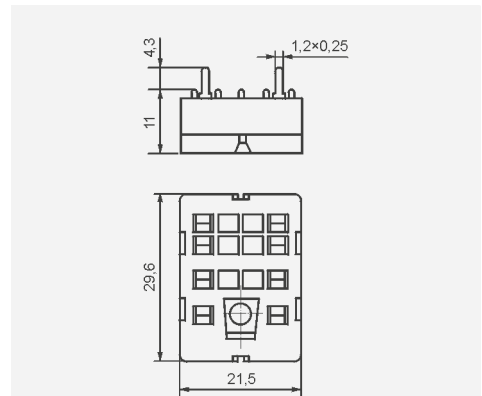


Pinout



G4 1053

Dimensions

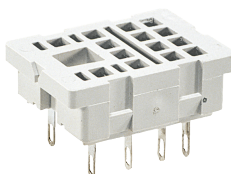


Accessories

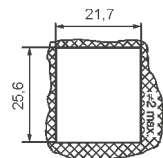
SU4/2L

For R2N

Solder terminals
29,6 x 21,5 x 18,1 mm
Two poles
12 A, 250 V AC



Dimensions of opening on panel mounting

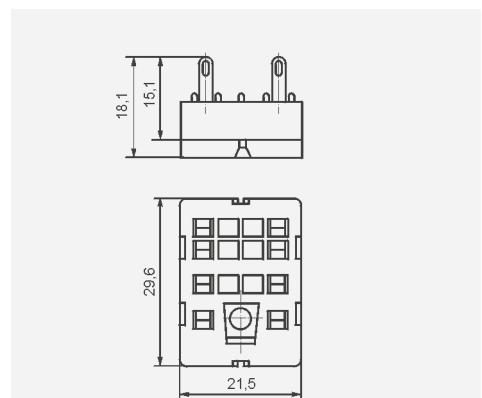


G4 1053



G4 1040

Dimensions



① Mounting and sub-assemblies of accessories in the socket - see page 16. Signalling / protecting modules type M... - see page 17.
② In the bracket the height of socket with retainer / retractor clip is shown.